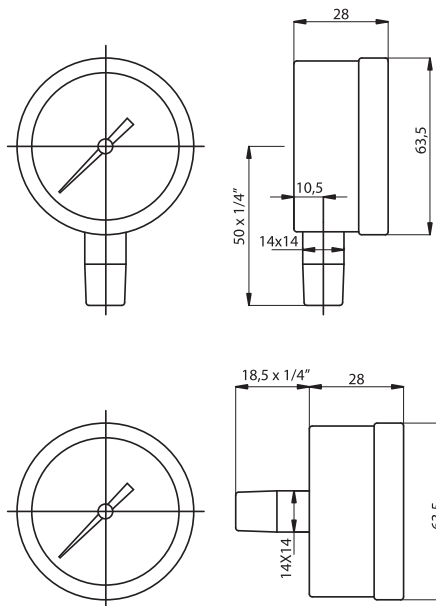




## MANOMETRI PER PNEUMATICA DN 63

Pressure gauges for pneumatic applications ds 63



➤ Manometro standard, cassa ABS nera dn 63 mm, interni in ottone, classe di precisione 2,5%. Cassa metallica nera per strumenti per montaggio a pannello.

➤ Standard pressure gauge, ABS black case ds 63 mm, brass movement, accuracy 2,5%. Black metal case for instruments for panel mounting.

### ➤ DN 63

➤ Attacco radiale ➤ Bottom connection

➤ CAMPO SCALA ➤ RANGE	➤ ATTACCO ➤ CONNECTION	➤ CODICE ➤ CODE
-1/0 bar / " Hg 0/1 bar / Psi 0/2,5 bar / Psi 0/4 bar / Psi 0/6 bar / Psi 0/10 bar / Psi 0/12 bar / Psi 0/16 bar / Psi 0/25 bar / Psi	1/4" gasc/bspt	HDG.OAC20122M HDG.OAC10122M HDN.OAC10322M HDG.OAC10422M HDG.OAC10522M HDG.OAC10622M HDG.OAC11622M HDG.OAC10722M HDG.OAC10822M

➤ Attacco posteriore ➤ Back connection

➤ CAMPO SCALA ➤ RANGE	➤ ATTACCO ➤ CONNECTION	➤ CODICE ➤ CODE
0/2,5 bar / Psi 0/4 bar / Psi 0/6 bar / Psi 0/10 bar / Psi 0/12 bar / Psi 0/16 bar / Psi	1/4" gasc/bspt	HDN.ODC10322M HDG.ODC10422M HDG.ODC10522M HDG.ODC10622M HDG.ODC11622M HDG.ODC10722M
0/10 bar / Psi 0/12 bar / Psi	1/8" gasc/bspt	HDG.ODC10612M HDG.ODC11612M

➤ Attacco posteriore con flangia ➤ Back connection with front flange

➤ CAMPO SCALA ➤ RANGE	➤ ATTACCO ➤ CONNECTION	➤ CODICE ➤ CODE
0/4 bar / Psi 0/6 bar / Psi 0/12 bar / Psi	1/4" gasc/bspt	HDG.OEC10422M HDG.OEC10522M HDG.OEC11622M

➤ Attacco posteriore con staffa ➤ Back connection with "u-clamp"

➤ CAMPO SCALA ➤ RANGE	➤ ATTACCO ➤ CONNECTION	➤ CODICE ➤ CODE
0/12 bar / Psi	1/4" gasc/bspt	HDG.OBC11622M