

56-02 dummy support



product description

The 56-02 dummy support offers an economical way to create tank or vessel weighing systems. In three legged vessels it is possible to use two 56-02 supports and just one weigh module and still obtain accurate weight data for level control. Alternatively, two units can be incorporated into four-legged vessel when using two weigh modules.

The support is height matched and compatible with the 55-20, 55-01-10 and 55-01-07C/D rocker system weigh modules.

Their design accommodates side forces of up to 100% of max capacity. Lift-off forces are safe to 50% for the 7.5/15/22.5t units and to 100% for the 30/40 t units.

If foundation plates and tank feet are prepared also with mounting holes for the weigh module, the scale can later easily be upgraded to a high accuracy load cell system by replacing the dummy supports with weigh modules.

applications

Tank and vessel level control systems.

key features

Zinc plated mild steel construction

Capacities of 7.5t to 40t

Easy installation by bolting or welding

Tolerates large angular errors for tank foot and foundation plate

Allows thermal expansion/contraction

Very rugged design

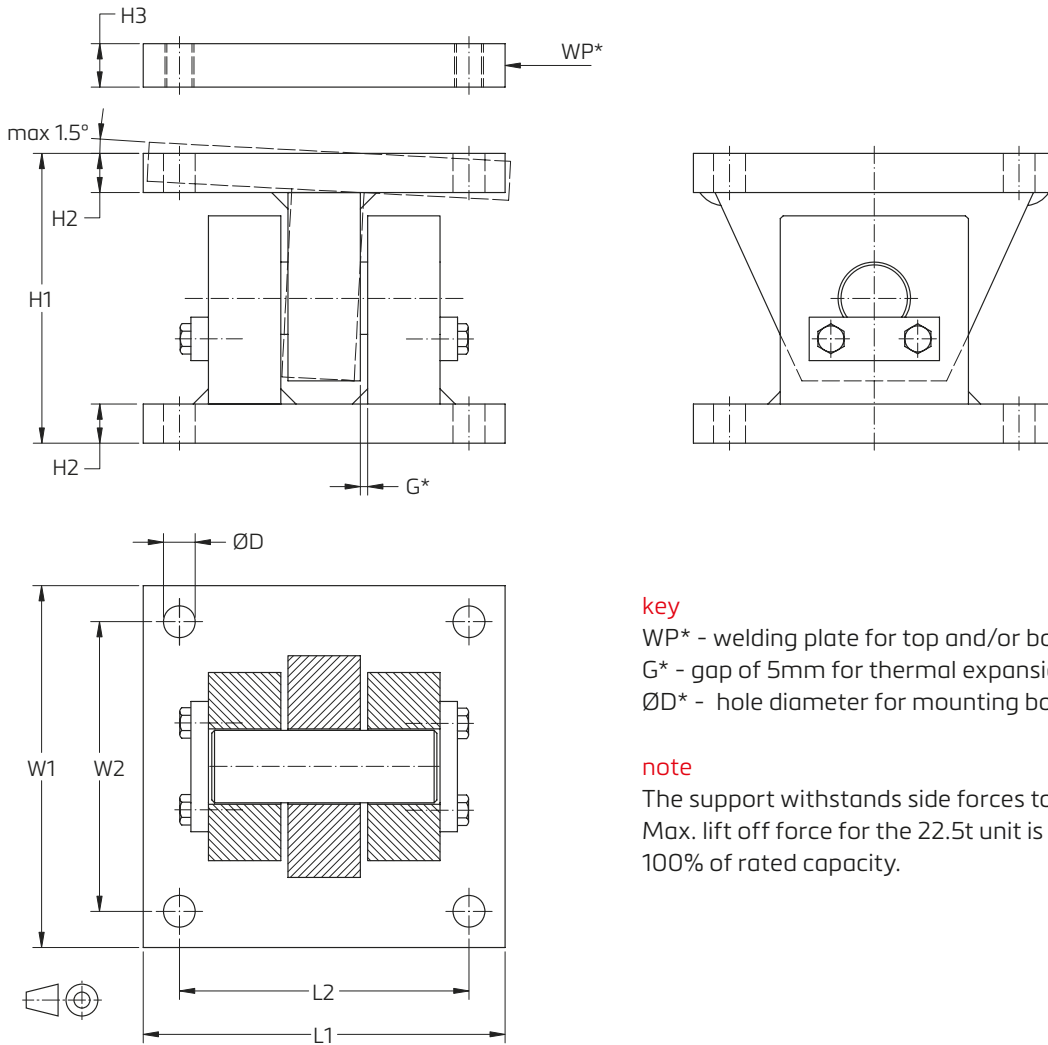
accessories

Welding plates top and/or bottom are available

RoHS
compliant

 **flintec**
quality + precision

product dimensions (mm)



key

WP* - welding plate for top and/or bottom (accessory)

G* - gap of 5mm for thermal expansion/contraction

ØD* - hole diameter for mounting bolts

note

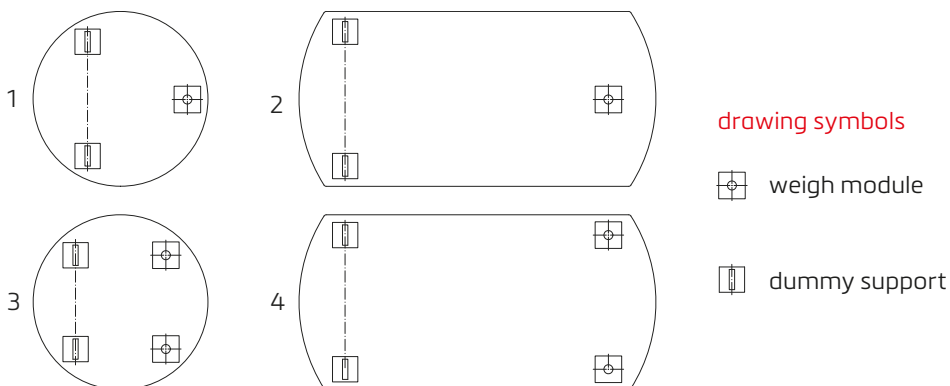
The support withstands side forces to 100% of rated capacity. Max. lift off force for the 22.5t unit is 50% and for 40t unit it's 100% of rated capacity.

Capacity	Matches height of	H1	H2	H3	L1	L2	W1	W2	D	Mount bolts
7.5/15/22.5 t	55-20 / 55-01-10 / 55-01-07D	130	17	25	180	140	180	140	18.5	M16 8.8
30/40 t	55-20 / 55-01-07C*	200	27	30	250	200	250	200	22	M20 8.8

* Requires special cup for 40t.

CAD files for customer's own application drawings are available for download from the Flintec homepage.

orientation of dummy support



Dimensions and specifications are subject to change without notice.