

---

# 52-10 height adjustable rubber foot



## product description

Designed for high accuracy weighing results when combined with the blind-hole load introduction available on Flintec load cells.

The 52-10 rubber foot is self-aligning and has the added feature of being height adjustable making ideal for industrial platform scales and a wide range of weighing tasks. The height is adjustable by rotating the foot. The 52-10 is especially designed for the SB4, SB5, SB6, SLB, SB9 and SB14 beam load cells.

## applications

Industrial platform scales, low capacity vessel weighing systems.

## accessories

Fixation plate

---

## key features

Height adjustable design

---

Blind-hole load introduction

---

Low profile

---

Very easy to install

---

Capacity range: 20 kg to 2,500 kg

---

Zinc plated tool steel or stainless-steel construction options

---

Sizes available to suit a wide range of load cell capacities

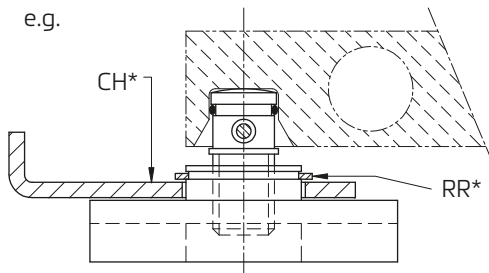
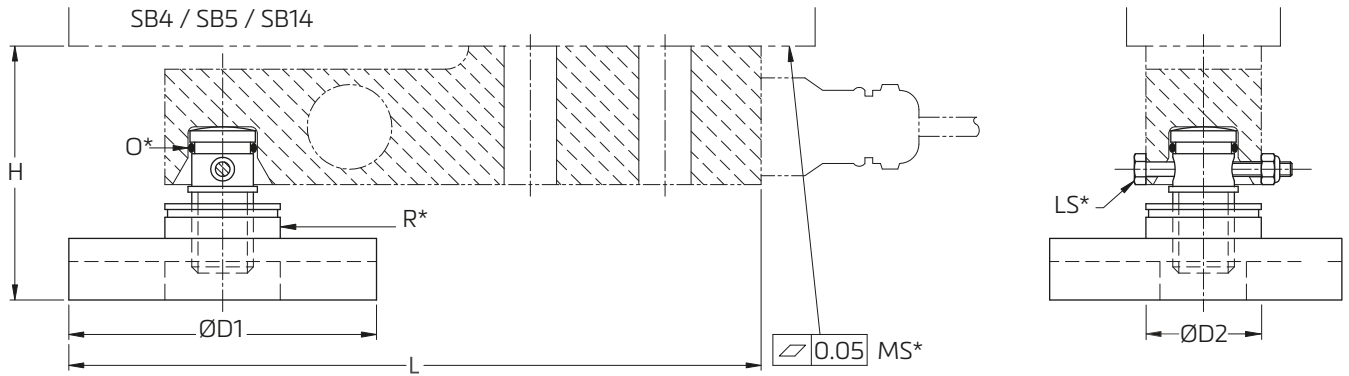
---

W&M certified

---



## product dimensions (mm)



O\* - O-ring  
 R\* - Receptor for hook or other hardware  
 LS\* - Locking screw

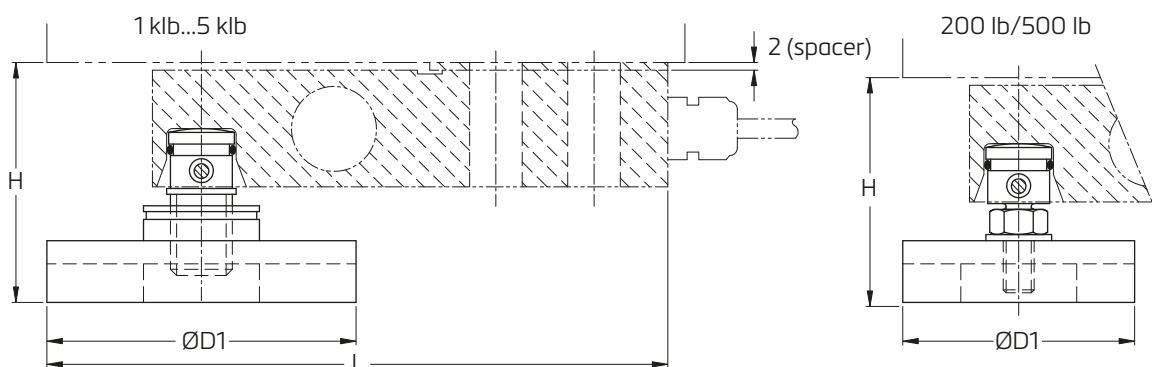
MS\* - Load cell mounting surface  
 CH\* - Connection hook for ramps  
 RR\* - Retention ring  
 S\* - Shim installed for height adjustment

| Load Cell Type | Capacity                            | D1  | D2 | L   | H        |
|----------------|-------------------------------------|---|----|-----|----------|
| SB6            | 200...500 N (20,4...204 kg)         | 60  | -  | 150 | 65...71* |
| SLB / SB9      | 200...500 lb (91...227 kg) / 250 kg |   |    | 154 | 57...63* |
|                |                                     | 1...5 klb (454...2268 kg) / 500...2000 kg | 30 | 164 | 59...67* |
| SB14           | 0,5...5 klb (227...2268 kg)         | 80  |    |     | 180      |
| SB4 / SB5      | 5...20 kN (510...2039 kg)           |   |    |     |          |

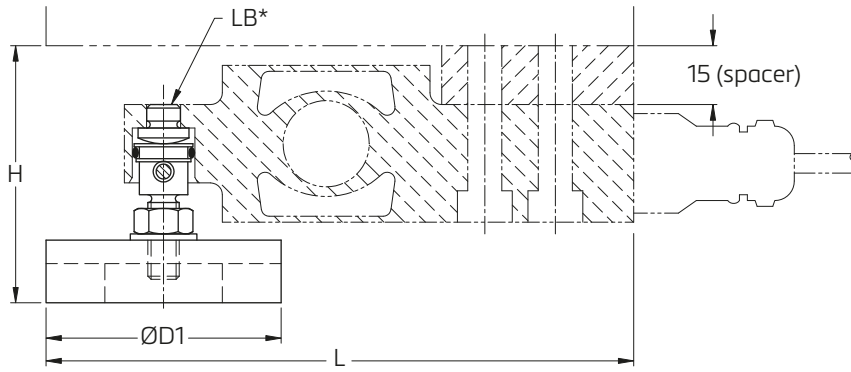
\* Including spacer.

CAD files for customer's own application drawings are available for download from the Flintec homepage.

## details of SLB load cell



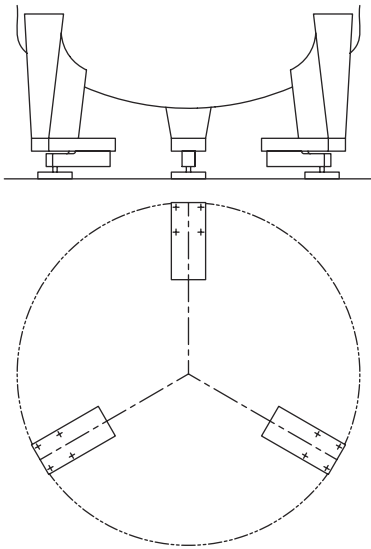
## details of SB6 load cell



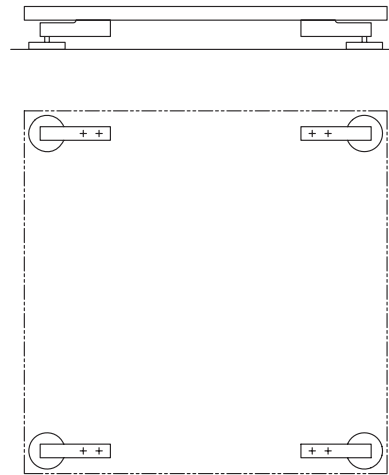
LB\* - Load button

## example setups

Tank weighing system with 3 load cells  
(recommended base plate 52-00 included)



Platform scale with 4 load cells



Specifications and dimensions are subject to change without notice.